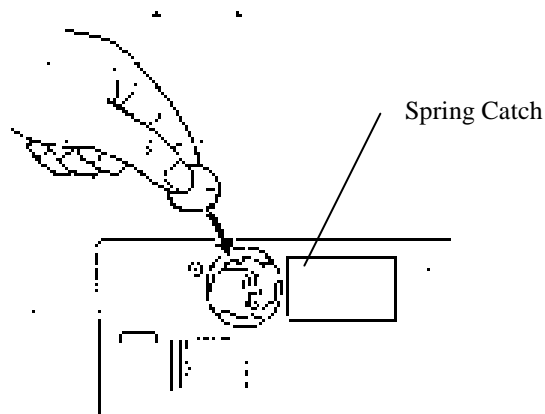




---

## Lithium Battery Replacement Instructions

1. Turn the DreamWriter off and remove the battery cover by pressing down on the cover and turning to the open position.
2. Remove existing battery by pushing gently on the battery towards the top outer corner. Turn the DreamWriter over to allow the battery to fall out.
3. Do not touch the new batteries with your hands; use a tissue or lint free cloth.
4. To install the new battery, place the battery with the positive symbol facing up. Slide the leading edge under the spring catch, and then position the battery in the center of the compartment.
5. Replace the battery cover.
6. The DreamWriter is now ready for use.
7. Dispose of the used battery according to local laws.



Back of DreamWriter

**IF YOU HAVE QUESTIONS ABOUT THIS PROCEDURE PLEASE CALL NTS CUSTOMER SUPPORT AT (800) 663-7163 OR E-MAIL [service@dreamwriter.com](mailto:service@dreamwriter.com)**